

Schröder

OMNISTAR

OPTICAL BLOCK FIXATIONS 1.

B5

U-TYPE LARGE BRACKET

PN/PK

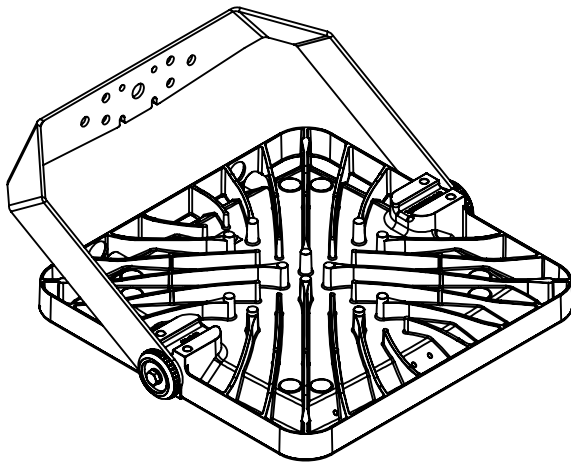
HORIZONTAL POLE MOUNTING KIT FOR Ø60 OR Ø76MM

PI

VERTICAL POLE MOUNTING KIT FOR Ø76-108MM

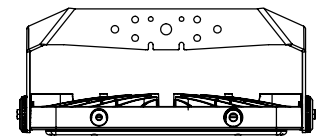
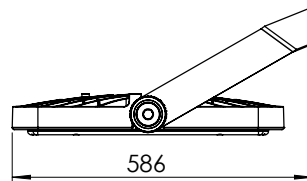
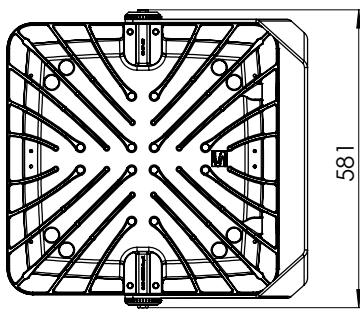
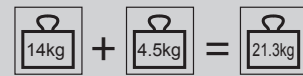
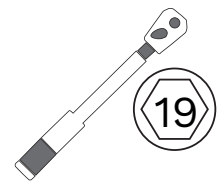
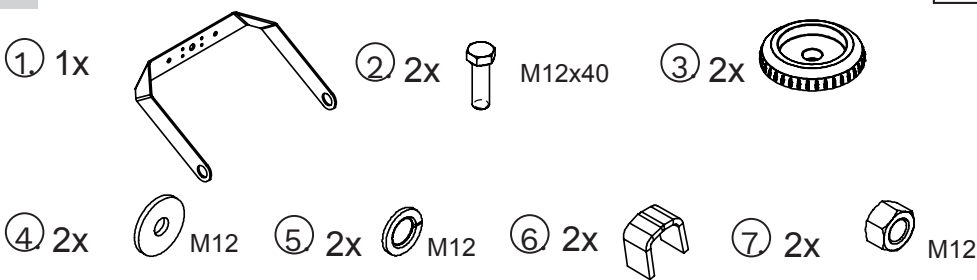
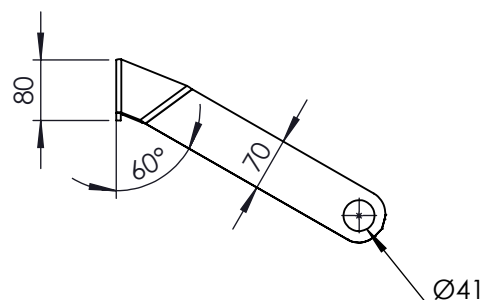
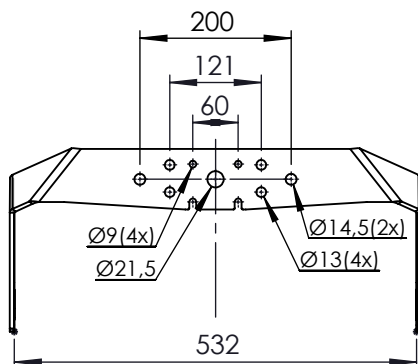
PJ

POST TOP MOUNTING KIT FOR Ø60MM

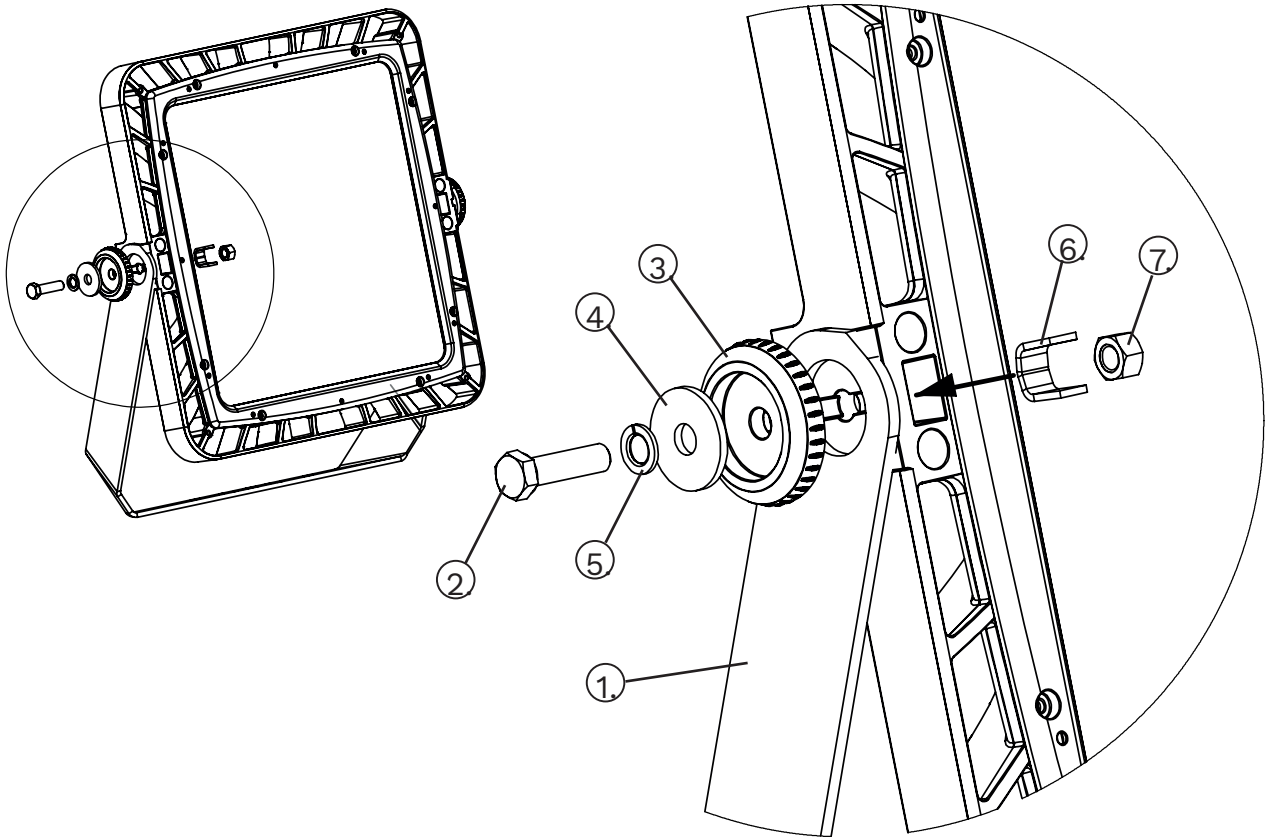
B

Schröder

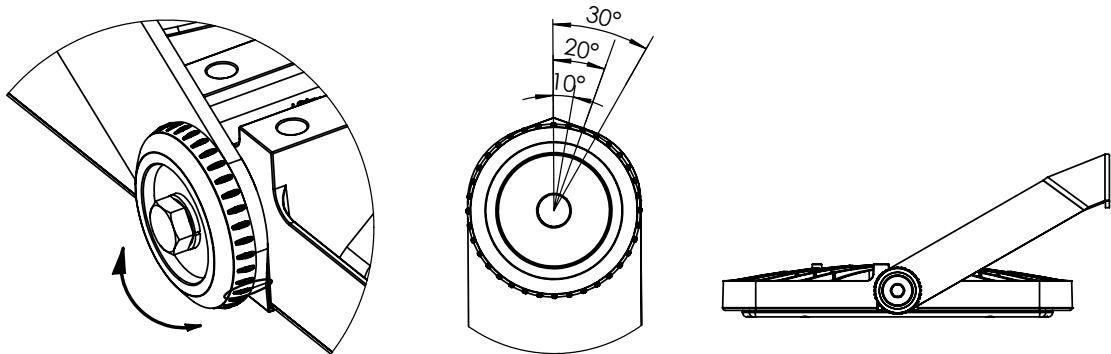
U-TYPE LARGE BRACKET

B5**OMNOB B5****A****B5****B****B5**

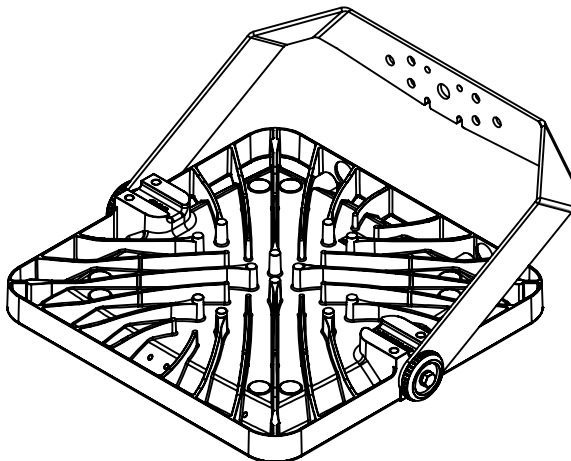
1

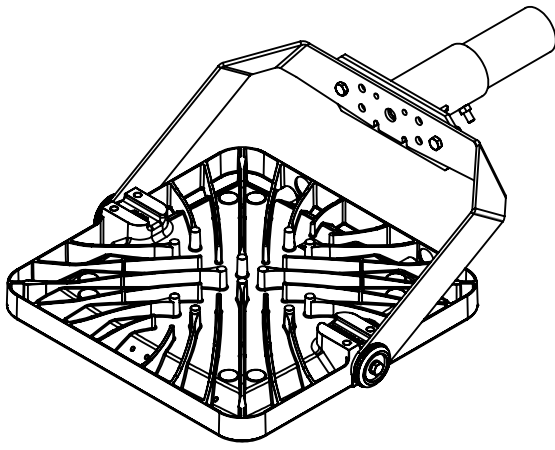


2



3





Schröder

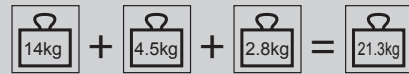
HORIZONTAL POLE MOUNTING KIT FOR

Ø60 or Ø76mm
(for U type large bracket)

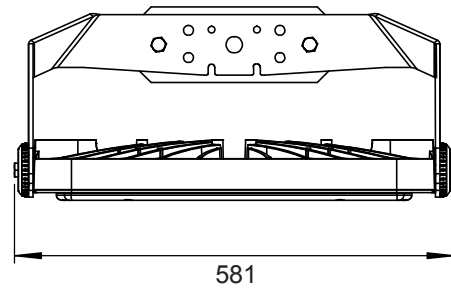
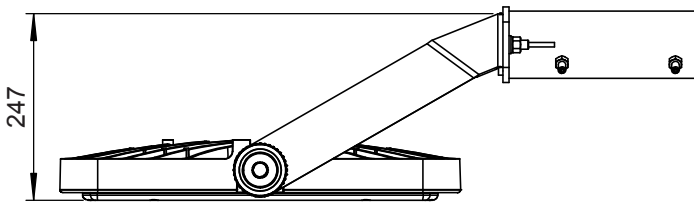
PN/PK



OMNOB B5 PN/PK



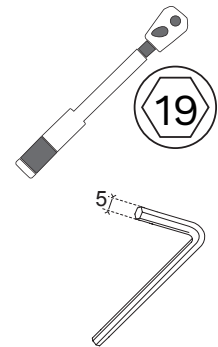
OMNOB + B5 + PN/PK



A

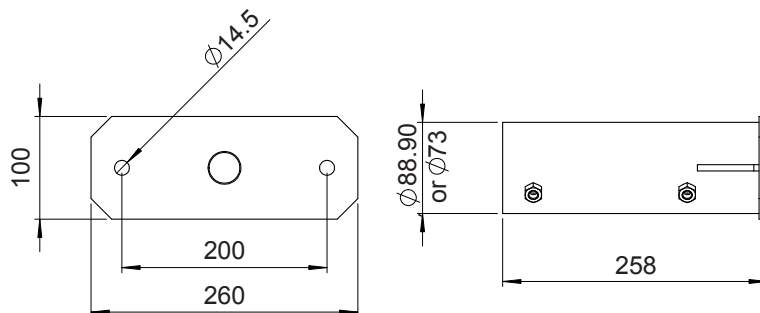
PK Ø76 OR Ø60 PN

- ① 1x
- ② 4x M10x25
M10x25
- ③ 2x M12x35
- ④ 2x M12
- ⑤ 2x M12
- ⑥ 2x M12



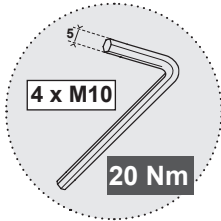
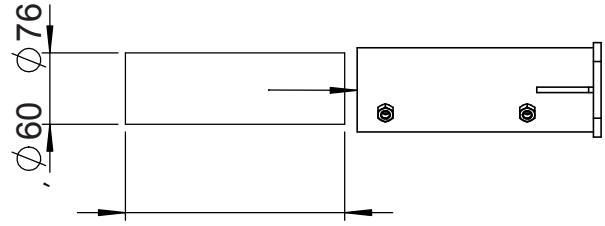
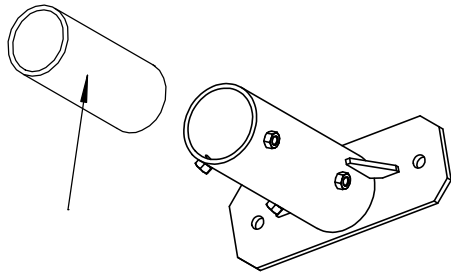
B

PN/PK



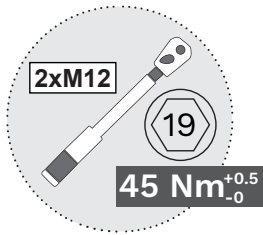
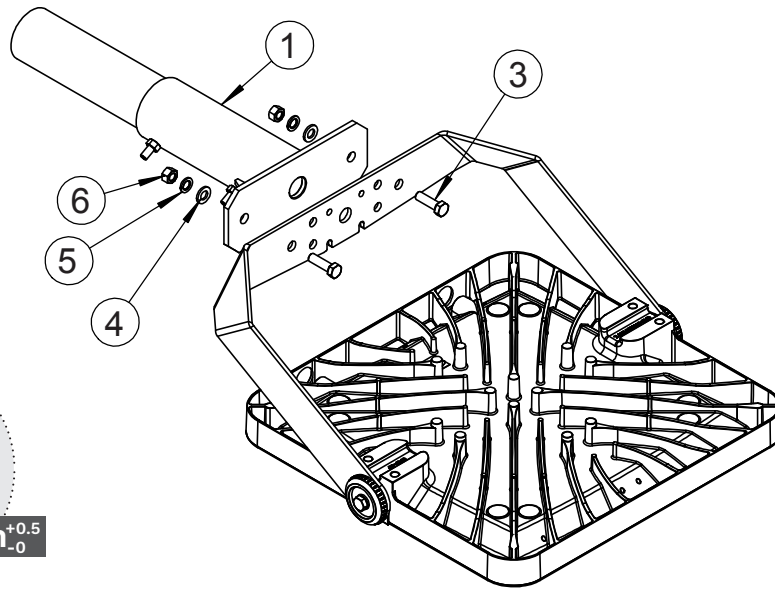
1

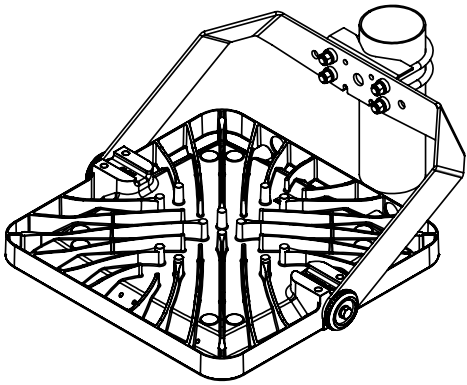
PN/PK



2

PN/PK





Schröder

VERTICAL POLE MOUNTING KIT FOR Ø76-108 mm (for U type large bracket)

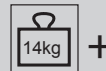
PI



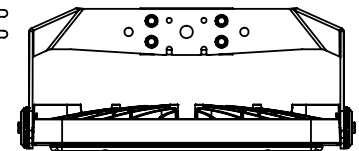
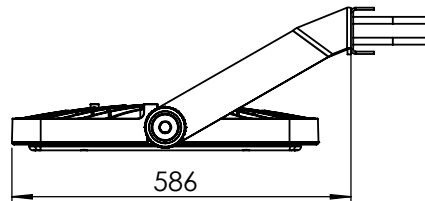
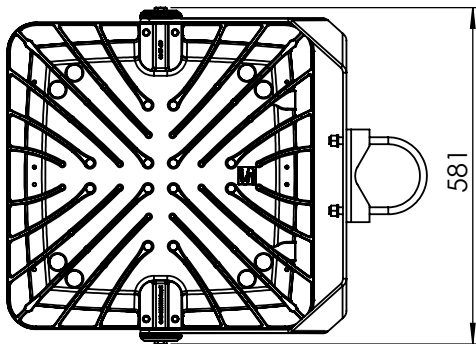
OMNOB

B5

PI



$$14\text{kg} + 4.5\text{kg} + 1.3\text{kg} = 19.8\text{kg}$$

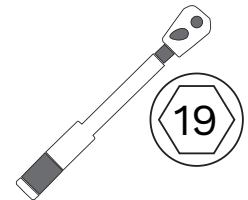


OMNOB + B5 + PI

A

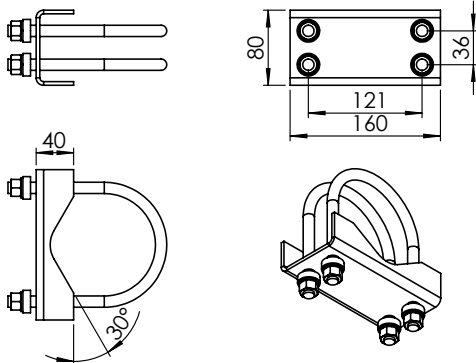
- ① 1x
- ② 2x M12
- ③ 4x M12
- ④ 4x M12
- ⑤ 4x M12

PI



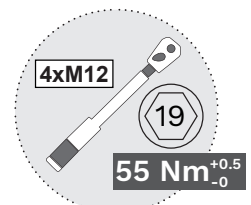
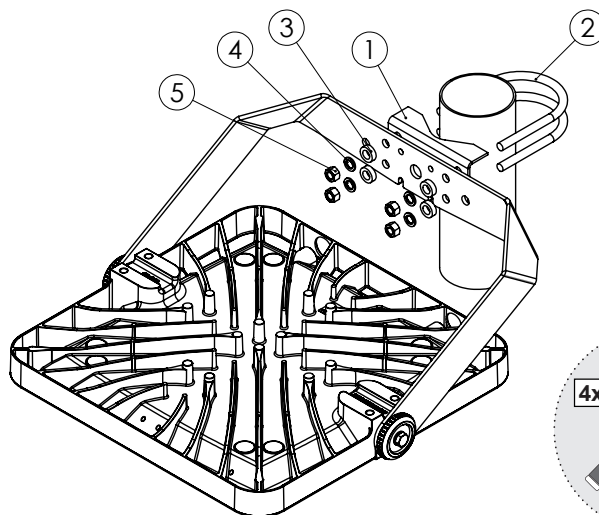
1

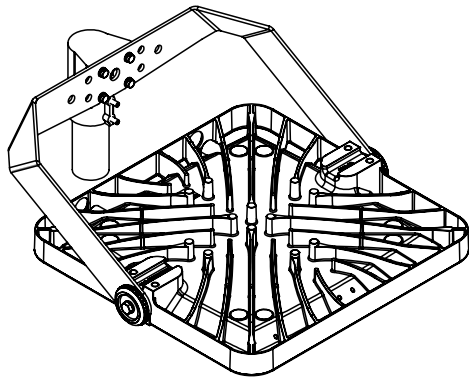
PI



2

OMNOB + B5 + PI





Schröder

POST TOP MOUNTING KIT FOR Ø60mm (for U-type large bracket)

PJ



OMNOB

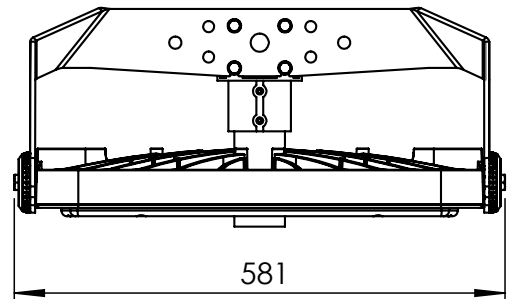
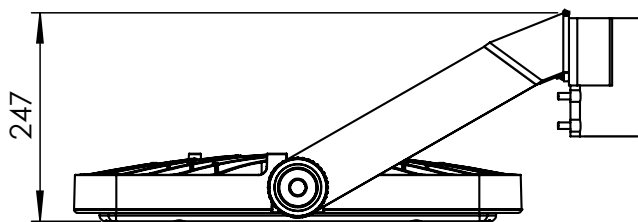
B5

PJ



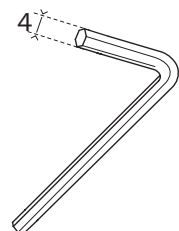
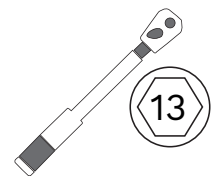
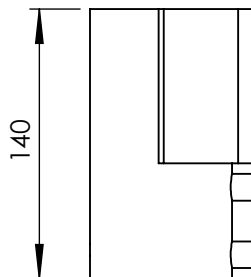
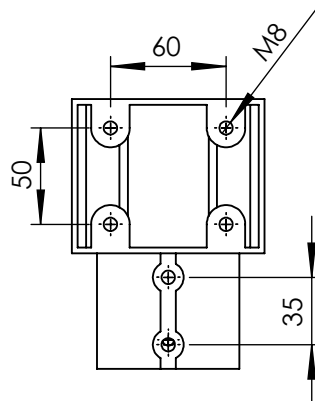
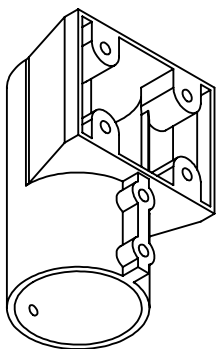
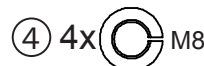
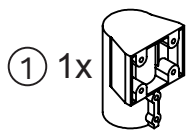
$$14\text{kg} + 4\text{kg} + 0.7\text{kg} = 18.7\text{kg}$$

OMNOB + B5 + PJ

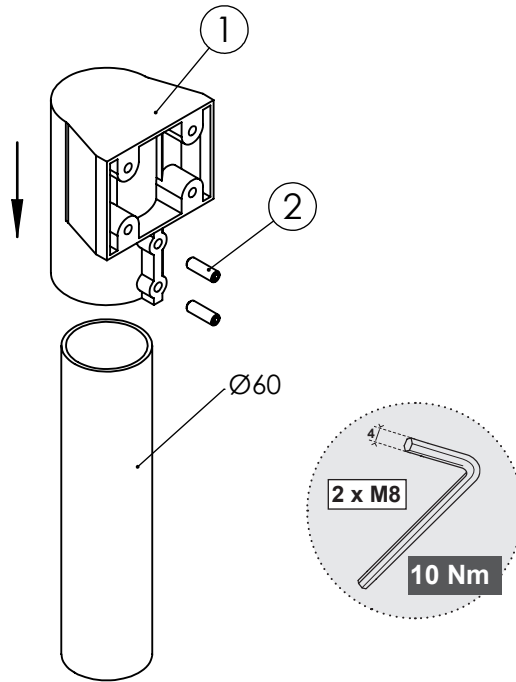


A

PJ



1



2

OMNOB + B5 + PJ

