

FLEXIA POLES



Elegance meets functionality

Created in collaboration with VALMONT Structures, the range of FLEXIA poles complements the FLEXIA luminaires, offering complete lighting ensembles, fully consistent for your applications. Particular care has been taken in the design of this range to ensure the most homogeneous associations possible between the pole, the SOFIA bracket (if applicable) and the FLEXIA luminaire.

The poles are available in different materials (aluminium, galvanised or corten steel and wood) and with different design options to suit your local needs. The result is an almost infinite number of possible combinations*, available in all standard Schröder colours. Certified for the loads defined in the EN40 standard, the FLEXIA POLES range is CE marked.

* As the offer may be different according to the requirements of individual countries, we invite you to consult your local Schröder representatives.



POLE VARIANTS



Conical steel
and conical aluminium

Conical corten

Wooden NEMUS

Wooden MIVA

Wooden KLAXE

CONICAL STEEL WITH FLANGE PLATE



FLEXIA TOP Ø60 & SOFIA BRACKET 400

FLEXIA TOP Ø76

SOFIA BRACKET 1200

Pole Height (m)	Door position / ground	Door dimension	Ground level / flange plate	Flange plate fixation	FLEXIA TOP Ø60 & SOFIA BRACKET 400			FLEXIA TOP Ø76			SOFIA BRACKET 1200		
					Ø Base	Ø Top	Spigot on top	Ø Base	Ø Top	Spigot on top	Ø Base	Ø Top	Spigot on top
4	500	500x100	200	200x200	147	76	Ø60 L80	166	95	Ø76 L80			
5					164			183					
6					181			200			181	76	Ø60 L100
8		215			234			215					
		600x115		300x300									

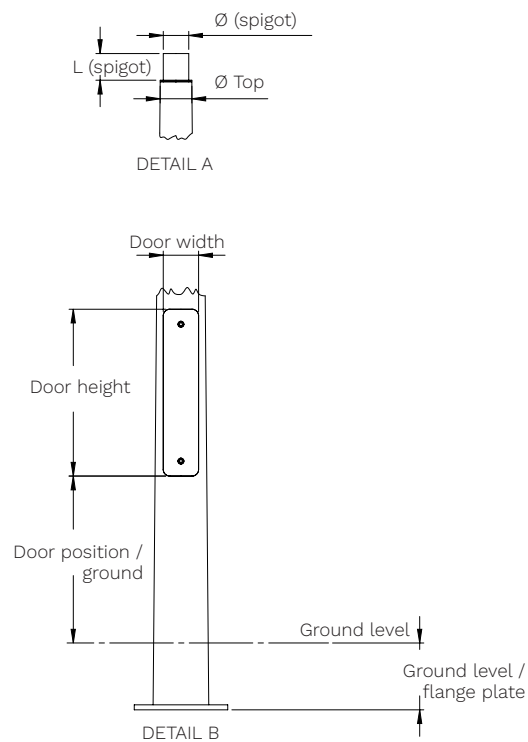
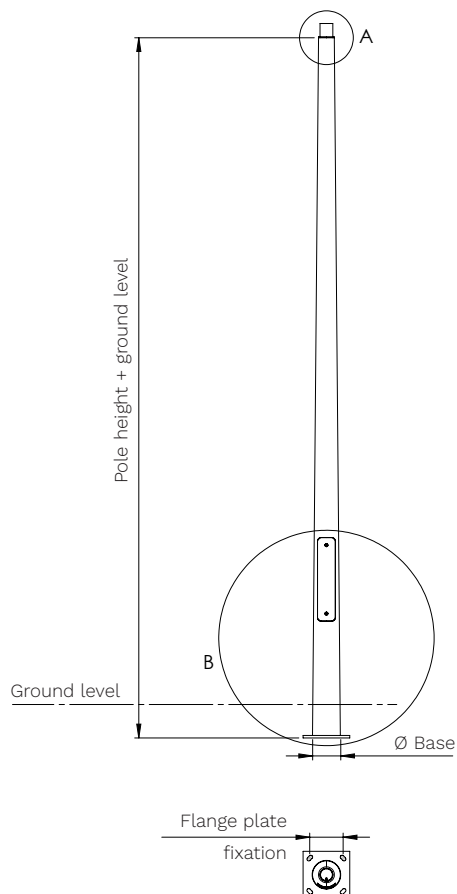
MATERIALS

Hot-dipped galvanized steel

FINISHES

Galvanized - Powder coating

Wet painting - Sublimation



CONICAL STEEL ROOTED POLE



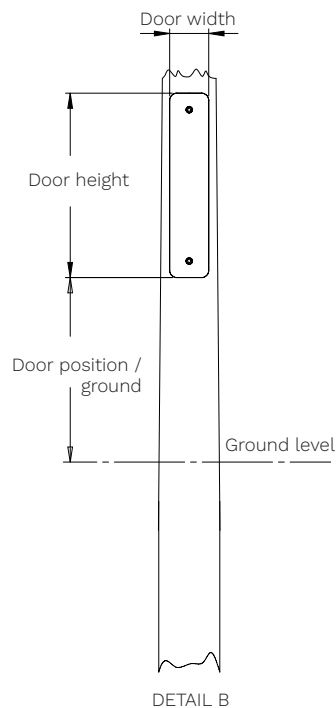
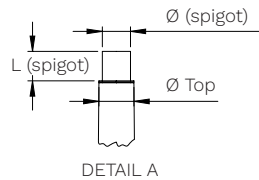
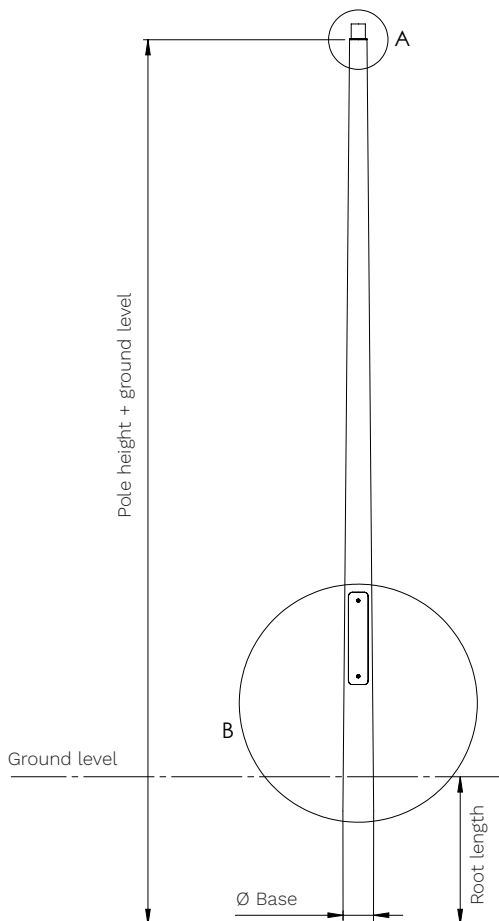
Pole Height (m)	Door position / ground	Door dimension	Distance bottom pole / Door	Root length	FLEXIA TOP Ø60 & SOFIA BRACKET 400			FLEXIA TOP Ø76			SOFIA BRACKET 1200		
					Ø Base	Ø Top	Spigot on top	Ø Base	Ø Top	Spigot on top	Ø Base	Ø Top	Spigot on top
4	500	500x100	1300	800	158	76	Ø60 L80	177	95	Ø76 L80			
5					175			194					
6			1500	1000	195			214			195	76	Ø60 L100
8					232			251			232		

MATERIALS

Hot-dipped galvanised steel

FINISHES

Galvanised - Powder coating
Wet painting - Sublimation



CONICAL ALUMINIUM WITH FLANGE PLATE

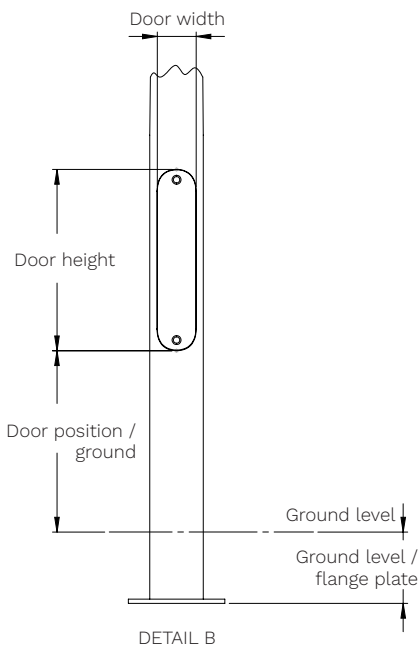
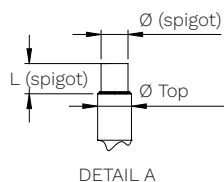
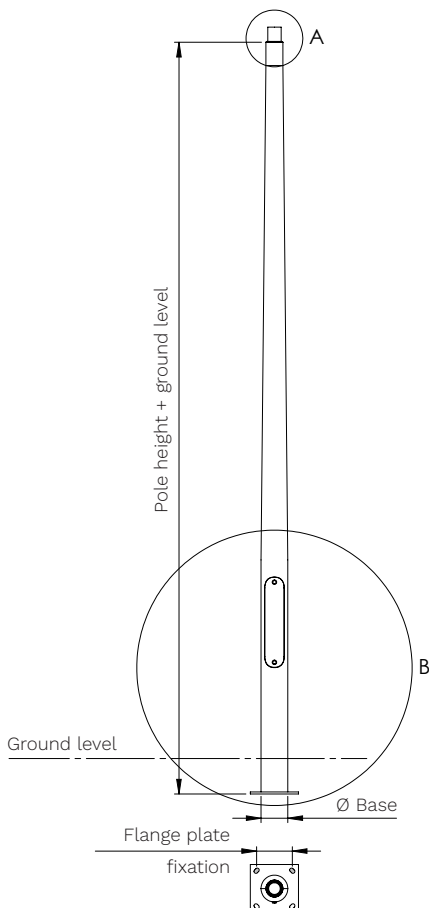
Pole Height (m)	Door position / ground	Door dimension	Ground level / flange plate	Flange plate fixation	FLEXIA TOP Ø60 & SOFIA BRACKET 400				FLEXIA TOP Ø76			SOFIA BRACKET 1200		
					Ø Base FLEXIA top Ø60	Ø Base SOFIA Bracket 400	Ø Top	Spigot on top	Ø Base	Ø Top	Spigot on top	Ø Base	Ø Top	Spigot on top
4	500	500x100	200	200x200	150	150	75	Ø60 L80	150	95	Ø76 L80	X		
5						165								
6					600x115	300x300	180	200	180	200	165	75	Ø60 L100	
8		200		200			200	75	Ø60 L100					

MATERIALS

100% aluminium fluoformed one-piece pole.
Aluminium 6060T5 incorporating 30% recycled material

FINISHES

Brushed- Powder coating - Wet painting
Anodization - Sublimation



CONICAL ALUMINUM ROOTED POLE

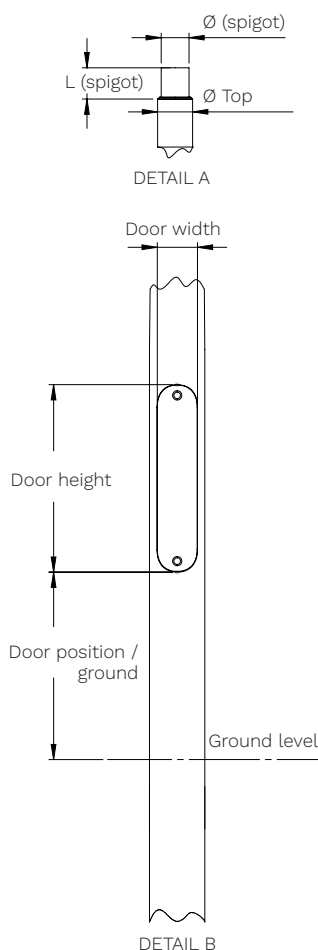
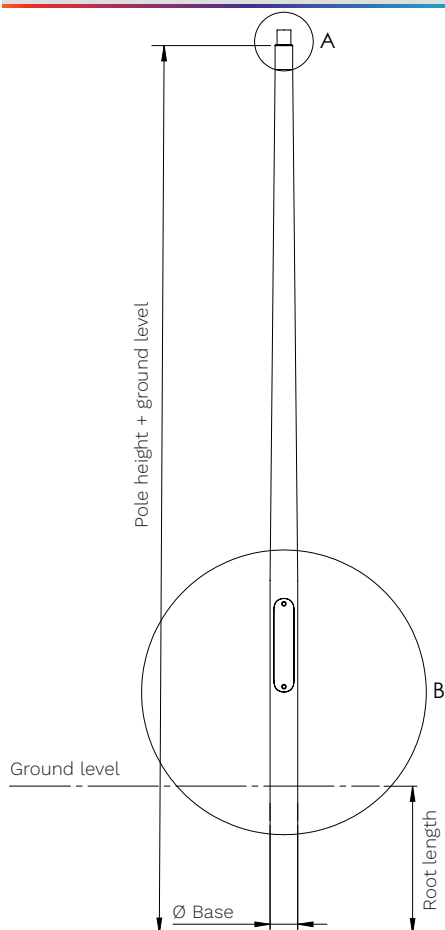
CONICAL ALUMINUM ROOTED POLE					FLEXIA TOP Ø60 & SOFIA BRACKET 400				FLEXIA TOP Ø76			SOFIA BRACKET 1200		
Pole Height (m)	Door position / ground	Door dimension	Distance bottom pole / Door	Root length	Ø Base FLEXIA top Ø60	Ø Base SOFIA Bracket 400	Ø Top	Spigot on top	Ø Base	Ø Top	Spigot on top	Ø Base	Ø Top	Spigot on top
4	500	500x100	1300	800	150	150	75	Ø60 L80	150	95	Ø76 L80			
5			1500	1000		165								
6			1700	1500		200						200	75	Ø60 L100
8		600x115	1700	1500	180	200	75	Ø60 L100	180	95	Ø76 L80	165	75	Ø60 L100

MATERIALS

100% aluminium fluoformed one-piece pole.
Aluminium 6060T5 incorporating 30% recycled material

FINISHES

Brushed- Powder coating - Wet painting
Anodization - Sublimation



CONICAL CORTEN WITH FLANGE PLATE



Pole Height (m)	Door position / ground	Door dimension	Ground level / flange plate	Flange plate fixation	FLEXIA TOP Ø60 & SOFIA BRACKET 400			FLEXIA TOP Ø76			SOFIA BRACKET 1200		
					Ø Base	Ø Top	Spigot on top	Ø Base	Ø Top	Spigot on top	Ø Base	Ø Top	Spigot on top
4	500	500x100	200	200x200	148	76	Ø60 L80	167	95	Ø76 L80			
5					182			201					
6					216			235			182	75	Ø60 L100
8								216					
		600x115		300x300									

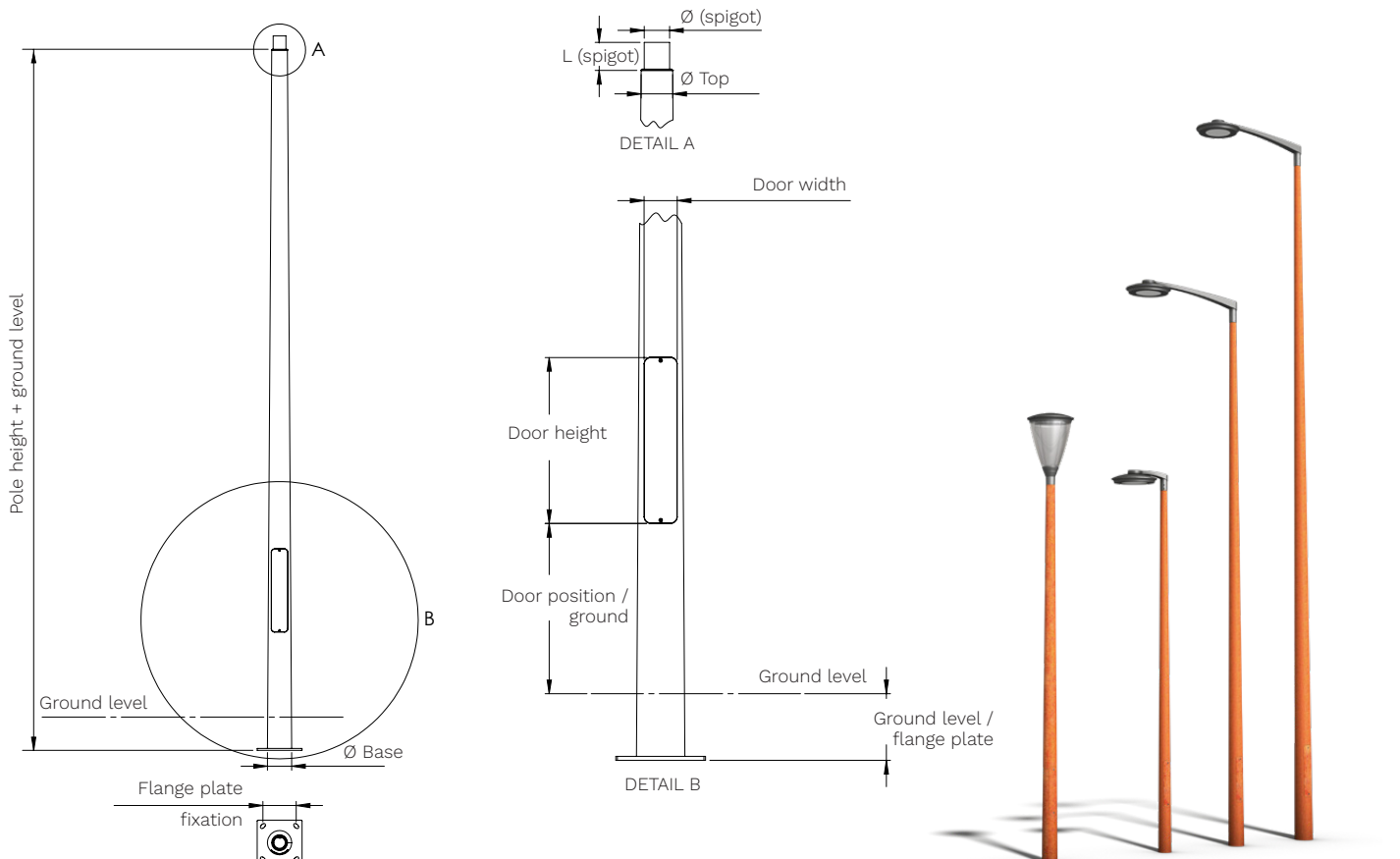
MATERIALS

Corten B S355

FINISHES

Natural (the column will weather to its full potential after installation)

Sealed (the weathering process is accelerated and then stopped via a sealer once the desired level of patina is achieved)



CONICAL CORTEN ROOTED POLE



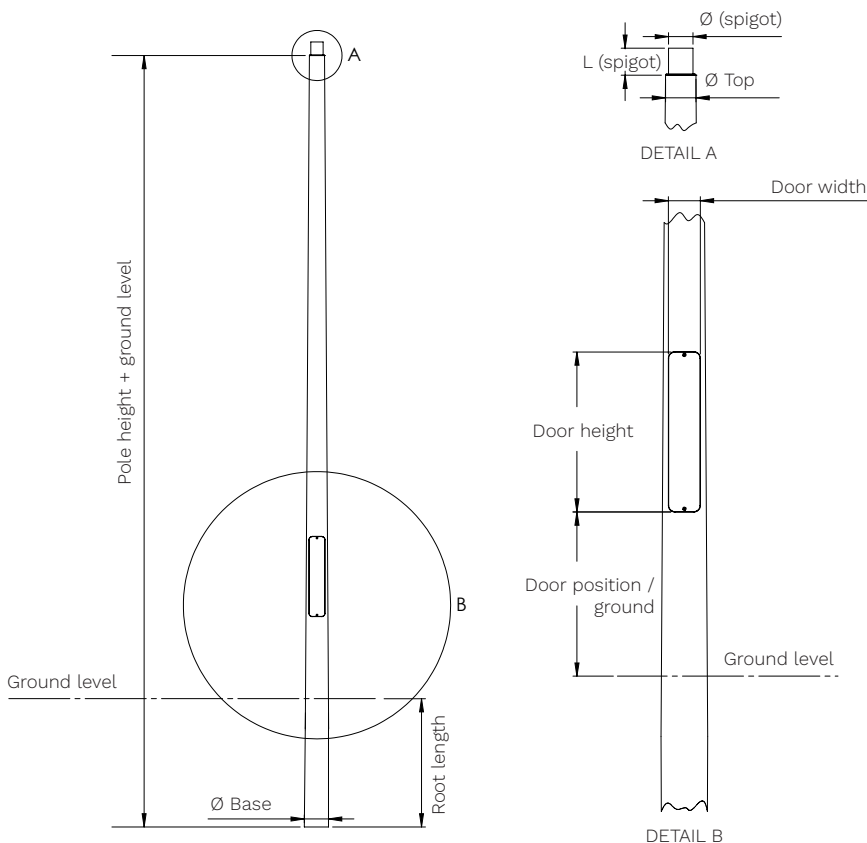
Pole Height (m)	Door position / ground	Door dimension	Distance bottom pole / Door	Root length	FLEXIA TOP Ø60 & SOFIA BRACKET 400			FLEXIA TOP Ø76			SOFIA BRACKET 1200		
					Ø Base	Ø Top	Spigot on top	Ø Base	Ø Top	Spigot on top	Ø Base	Ø Top	Spigot on top
4	500	500x100	1300	800	158	76	Ø60 L80	177	95	Ø76 L80			
5					175			194					
6			196	215	196			75			Ø60 L100		
8			233	252	233								

MATERIALS

Corten B S355

FINISHES

Natural (the column will weather to its full potential after installation)
Sealed (the weathering process is accelerate and then stopped via sealer once the desired level of patina is achieved)



CONICAL WOOD NEMUS WITH FLANGE PLATE

Pole Height (m)	Door position / ground	Door dimension	Ground level / flange plate	Flange plate fixation	FLEXIA TOP Ø60 & SOFIA BRACKET 400			FLEXIA TOP Ø76			SOFIA BRACKET 1200		
					Ø Base	Ø Top	Spigot on top	Ø Base	Ø Top	Spigot on top	Ø Base	Ø Top	Spigot on top
4	500	500x100	200	200x200	140	89	Ø60 L80	140	89	Ø76 L80			
5													
6											600x115	300x300	168
8		194											

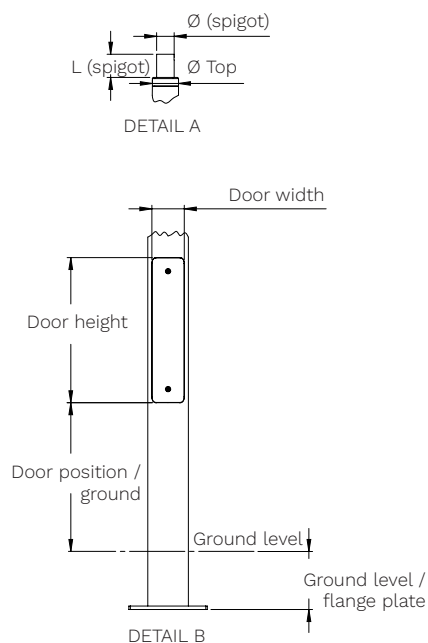
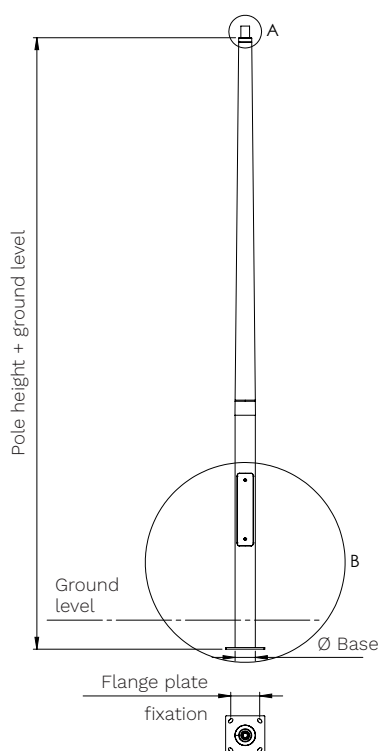
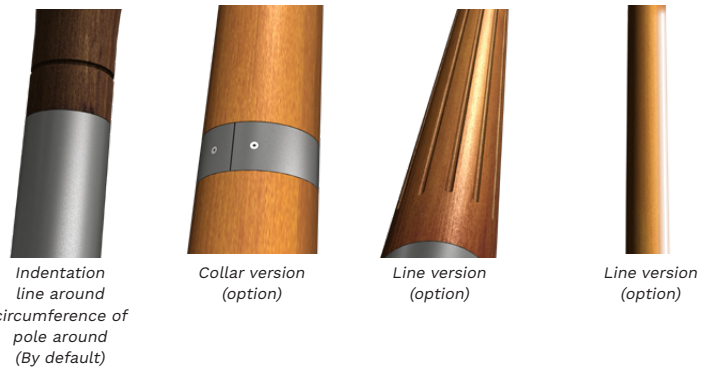
MATERIALS

Shaft: GL28h glue laminated timber
Base / Cap: hot-dipped galvanised steel

FINISHES

Treated with a water-based stain finish consisting of four protective coats, VOCs <100g/l
Powder coating for the steel part

AESTHETIC DETAILS



CONICAL WOOD NEMUS ROOTED POLE



Pole Height (m)	Door position / ground	Door dimension	Distance bottom pole / Door	Root length	FLEXIA TOP Ø60 & SOFIA BRACKET 400			FLEXIA TOP Ø76			SOFIA BRACKET 1200		
					Ø Base	Ø Top	Spigot on top	Ø Base	Ø Top	Spigot on top	Ø Base	Ø Top	Spigot on top
4	500	500x100	1300	800	140	89	Ø60 L80	140	89	Ø76 L80	X		
5			1500	1000									
6			600x115	1700							1200	168	168
8		194		194	194	194	194	194	194	194			

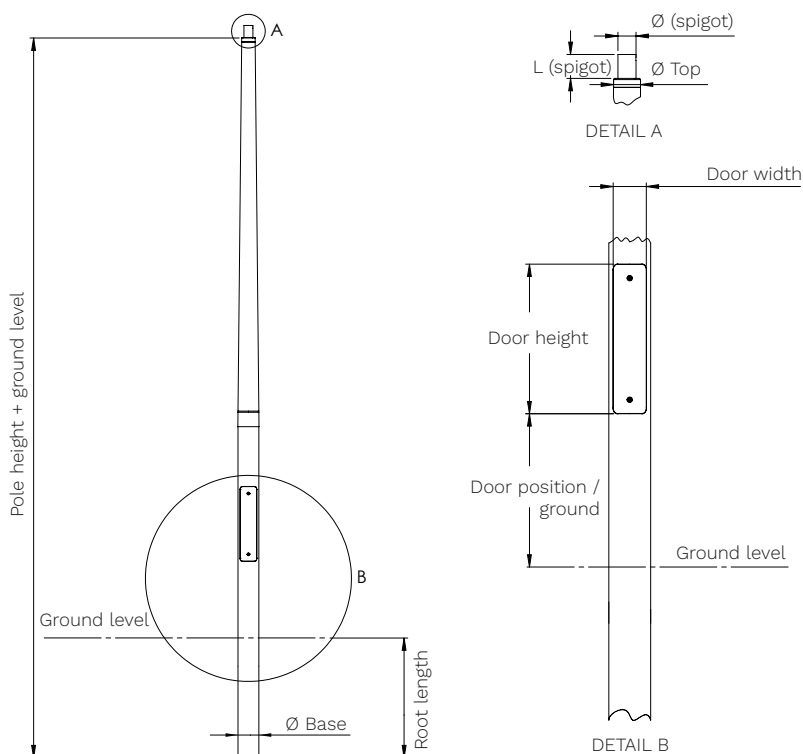
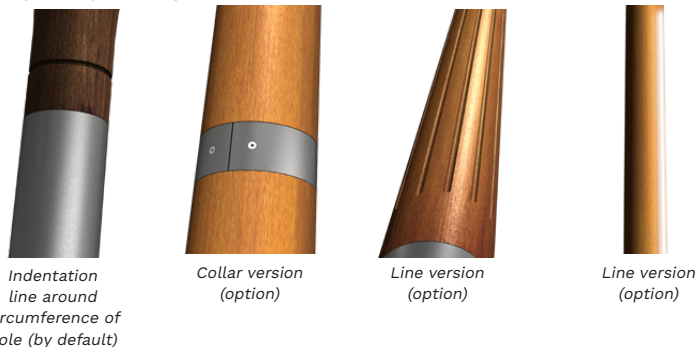
MATERIALS

Shaft: GL28h glue laminated timber
Base / Cap: hot-dipped galvanised steel

FINISHES

Treated with a water-based stain finish consisting of four protective coats, VOCs <100g/l
Powder coating for the steel part

AESTHETIC DETAILS



CONICAL WOOD MIVAT WITH FLANGE PLATE

Pole Height (m)	Door position / ground	Door dimension	Ground level / flange plate	Flange plate fixation	FLEXIA TOP Ø60 & SOFIA BRACKET 400			FLEXIA TOP Ø76			SOFIA BRACKET 1200		
					Ø Base	Ø Top	Spigot on top	Ø Base	Ø Top	Spigot on top	Ø Base	Ø Top	Spigot on top
4	500	500x100	200	200x200	140	89	Ø60 L80	140	89	Ø76 L80	X		
5													
6		168		194	114	Ø60 L100							
8													

AESTHETIC DETAIL



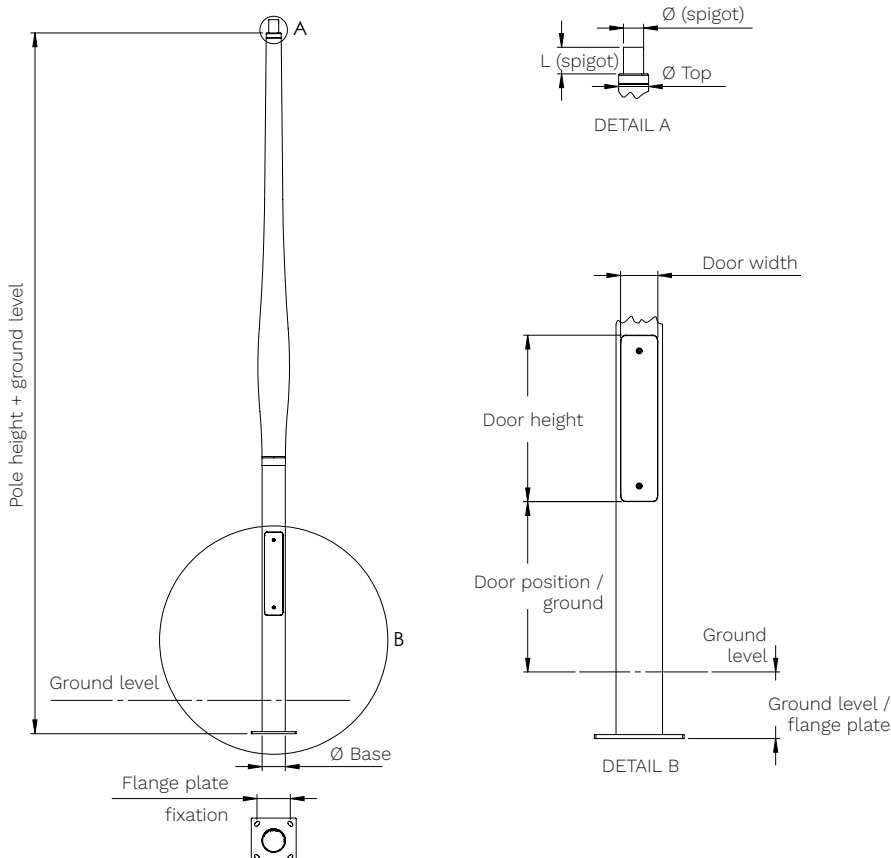
Sculpted column

MATERIALS

Shaft: GL28h glue laminated timber
Base / Cap: hot-dipped galvanised steel

FINISHES

Treated with a water-based stain finish consisting of four protective coats, VOCs <100g/l
Powder coating for the steel part



CONICAL WOOD MIVAT ROOTED POLE

					FLEXIA TOP Ø60 & SOFIA BRACKET 400			FLEXIA TOP Ø76			SOFIA BRACKET 1200		
					Ø Base	Ø Top	Spigot on top	Ø Base	Ø Top	Spigot on top	Ø Base	Ø Top	Spigot on top
Pole Height (m)	Door position / ground	Door dimension	Distance bottom pole / Door	Root length	140	89	Ø60 L80	140	89	Ø76 L80			
4	500	500x100	1300	800	140	89	Ø60 L80	140	89	Ø76 L80			
5			1500	1000							194		
6		600x115	1700	1200	168	194							
8													

MATERIALS

Shaft: GL28h glue laminated timber
Base / Cap: hot-dipped galvanised steel

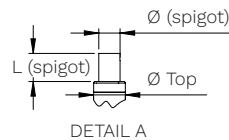
FINISHES

Treated with a water-based stain finish consisting of four protective coats, VOCs <100g/l
Powder coating for the steel part

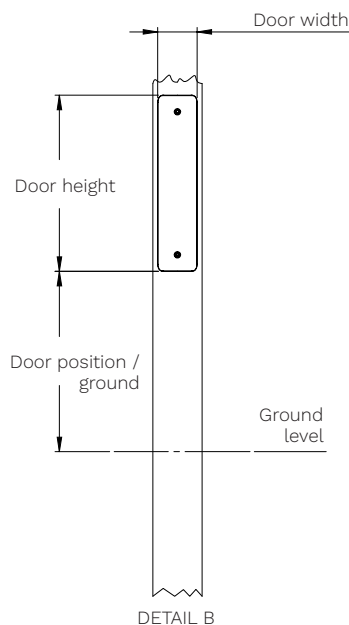
AESTHETIC DETAIL



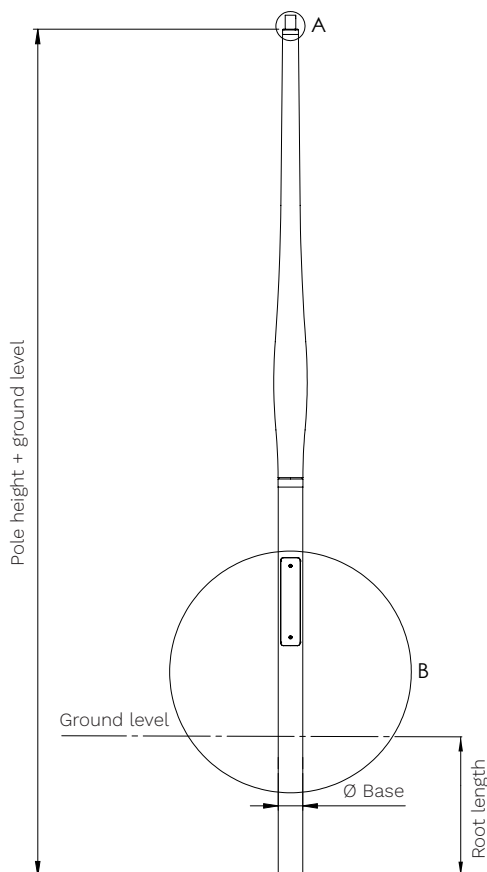
Sculpted column



DETAIL A



DETAIL B



FLEXIA POLES - Square round wood KLAXE **Schröder**

SQUARE ROUND KLAXE WITH FLANGE PLATE

Pole Height (m)	Door position / ground	Door dimension	Distance bottom pole / Door	Flange plate fixation	FLEXIA TOP Ø60 & SOFIA BRACKET 400			FLEXIA TOP Ø76			SOFIA BRACKET 1200		
					Ø Base	Ø Top	Spigot on top	Ø Base	Ø Top	Spigot on top	Ø Base	Ø Top	Spigot on top
4	500	500x100	200	200x200	140x140	89	Ø60 L80	140x140	89	Ø76 L80	X		
5					160x160			160x160					
6					160x160			180x180			180x180		
8		300x300		160x160	180x180								

MATERIALS

Shaft: GL28h glue laminated timber
Base / Cap: hot-dipped galvanised steel

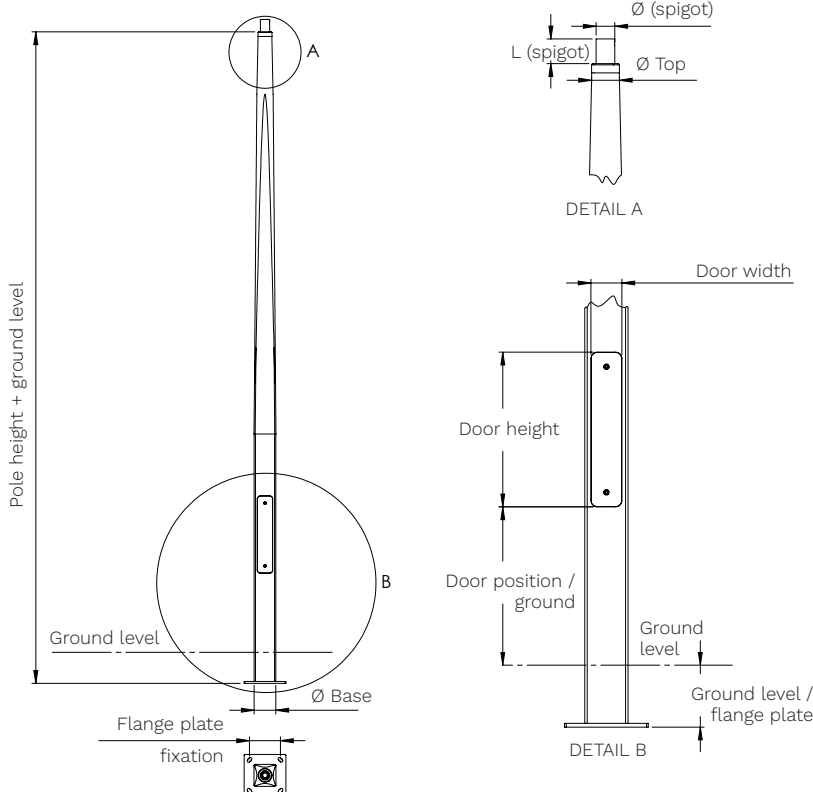
FINISHES

Treated with a water-based stain finish consisting of four protective coats, VOCs <100g/l
Powder coating for the steel part

AESTHETIC DETAIL

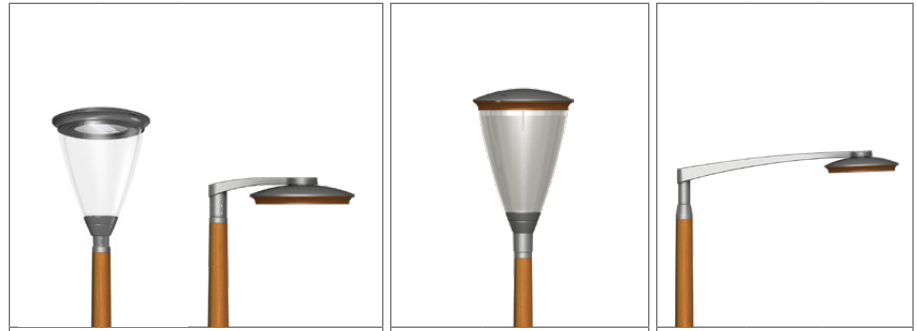


Square to round shape



FLEXIA POLES - Square round wood KLAXE **Schröder**

SQUARE ROUND KLAXE ROOTED POLE



Pole Height (m)	Door position / ground	Door dimension	Ground level / flange plate	Root length	FLEXIA TOP Ø60 & SOFIA BRACKET 400			FLEXIA TOP Ø76			SOFIA BRACKET 1200		
					Ø Base	Ø Top	Spigot on top	Ø Base	Ø Top	Spigot on top	Ø Base	Ø Top	Spigot on top
4	500	500x100	1300	800	140x140	89	Ø60 L80	140x140	89	Ø76 L80	X		
5			1500	1000									
6			1700	600x115							180x180	114	Ø60 L100
8		140x140			180x180								

MATERIALS

Shaft: GL28h glue laminated timber
Base / Cap: hot-dipped galvanised steel

FINISHES

Treated with a water-based stain finish consisting of four protective coats, VOCs <100g/l
Powder coating for the steel part

AESTHETIC DETAIL



Square to round shape

