

photinus Schröder
Experts in lightability™

VERTICALIS

150/300/450/600

ENG	INSTALLATION INSTRUCTIONS	ITA	ISTRUZIONI DI INSTALLAZIONE	NLD	INSTALLATIE INSTRUCTIES	DAN	INSTALLATIONSVEJLEDNING	HUN	TELEPÍTÉSI ÚTMUTATÓ
DEU	INSTALLATIONSANLEITUNG	POL	INSTRUKCJE MONTAŻU	RUS	Инструкции по установке	RON	INSTRUCȚIUNI DE INSTALARE	CHI	安装说明
FRA	INSTRUCTIONS DE MONTAGE	SPA	INSTRUCCIONES DE INSTALACIÓN	POR	INSTRUÇÕES DE INSTALAÇÃO	SWE	INSTALLATIONSANVISNING	UKR	Інструкції з монтажу
SRP	UPUTSTVA ZA INSTALACIJU	AR	تعليمات التركيب						



IP	IK
67	06

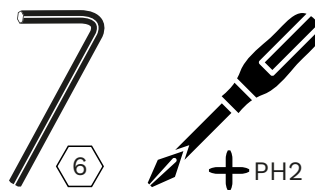
Control gear must be SELV/PELV!

$U_{out\ max}=120V$



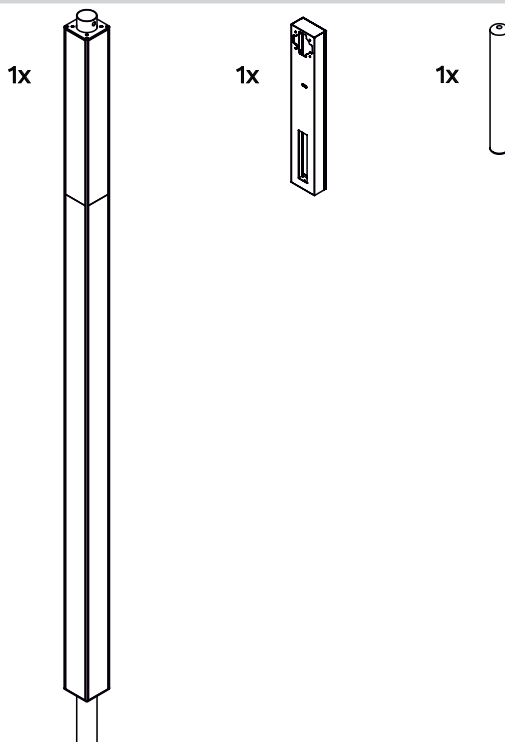
220-240VAC
50/60Hz

12-24VDC



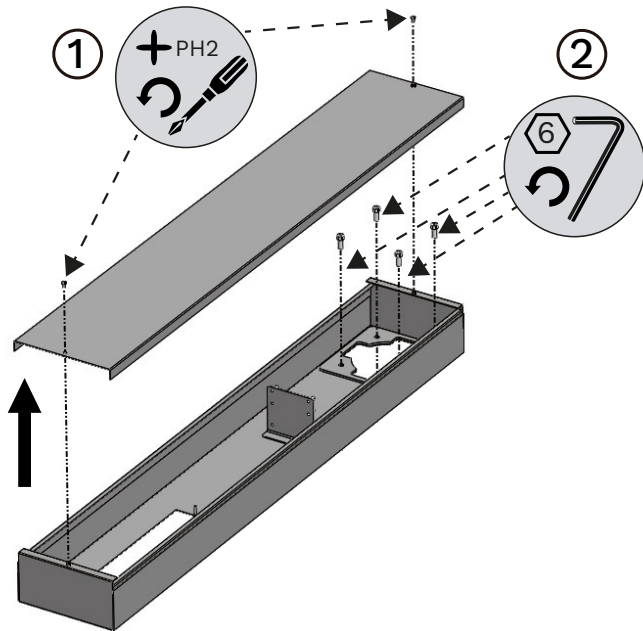
ALL THE TIGHTENING TORQUES VALUES ARE GIVEN FOR ASSEMBLIES WITHOUT THE ADDITION OF A GREASE DECREASING FRICTION.

PARTS LIST

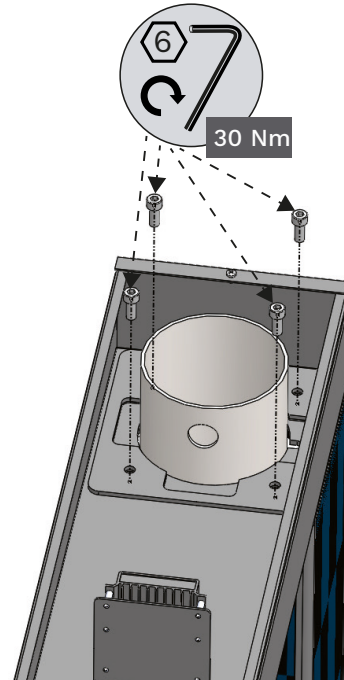


INSTALLATION STEPS

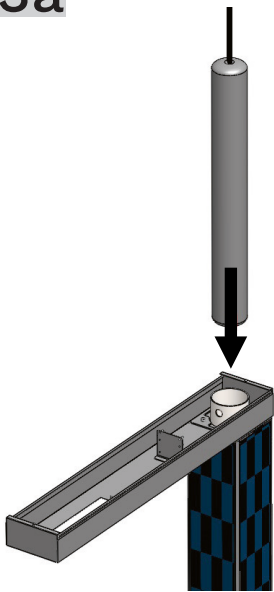
1



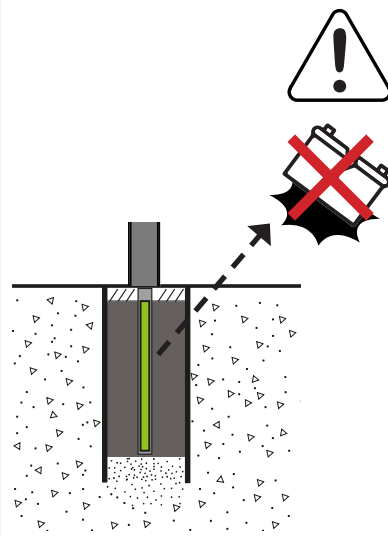
2



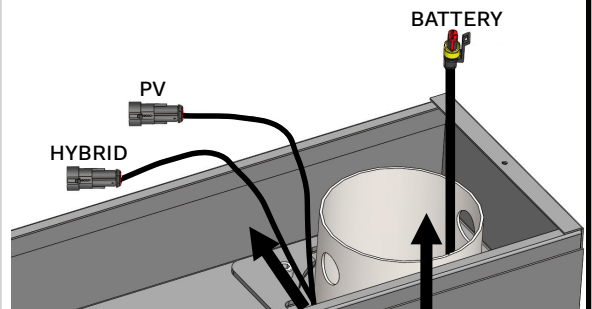
3a



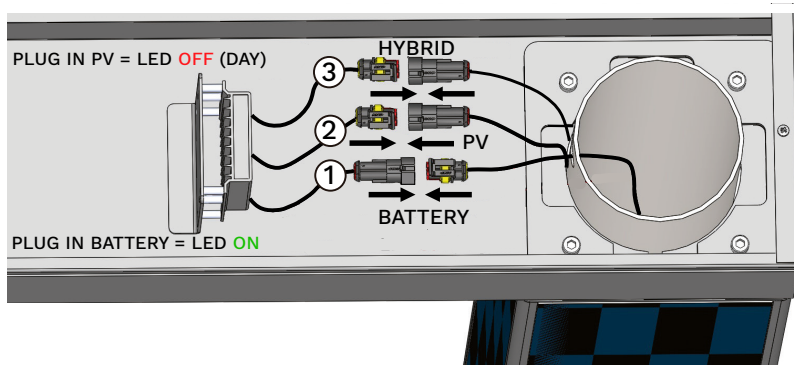
3b



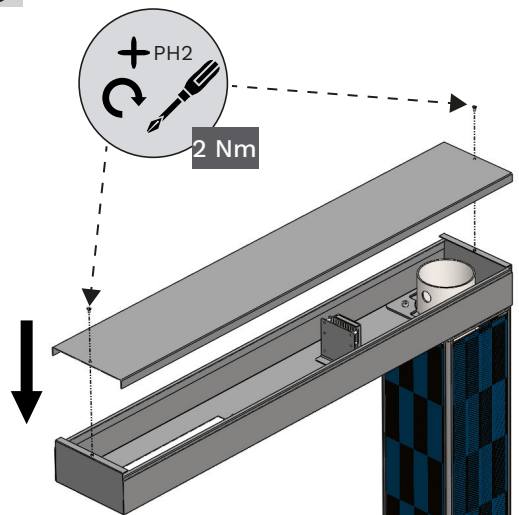
4



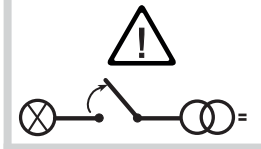
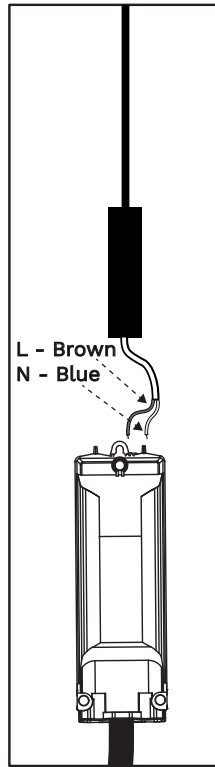
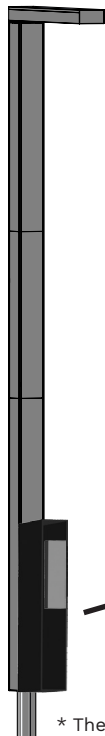
5



6



7

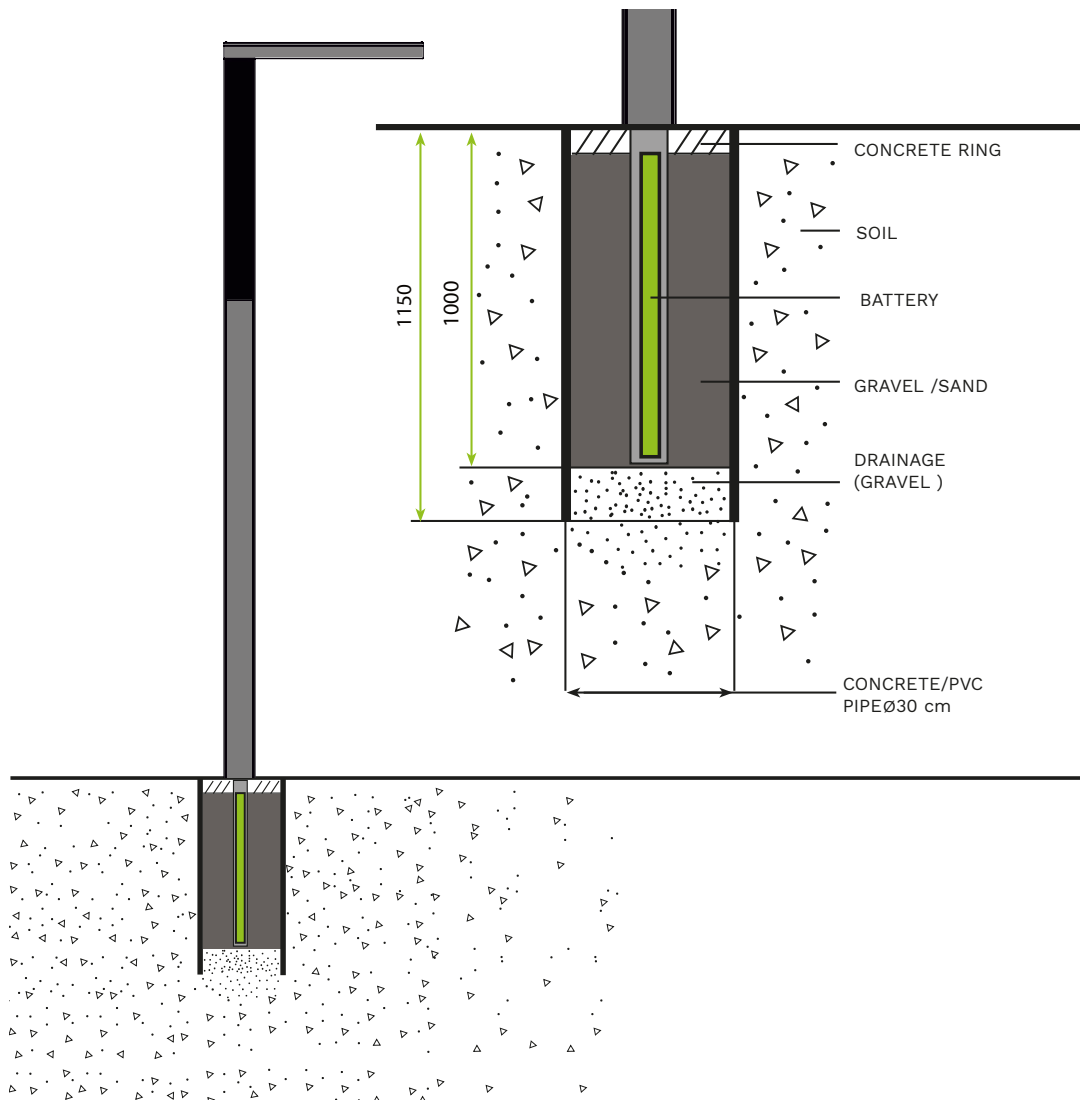


HYBRID INSTALLATION STEPS

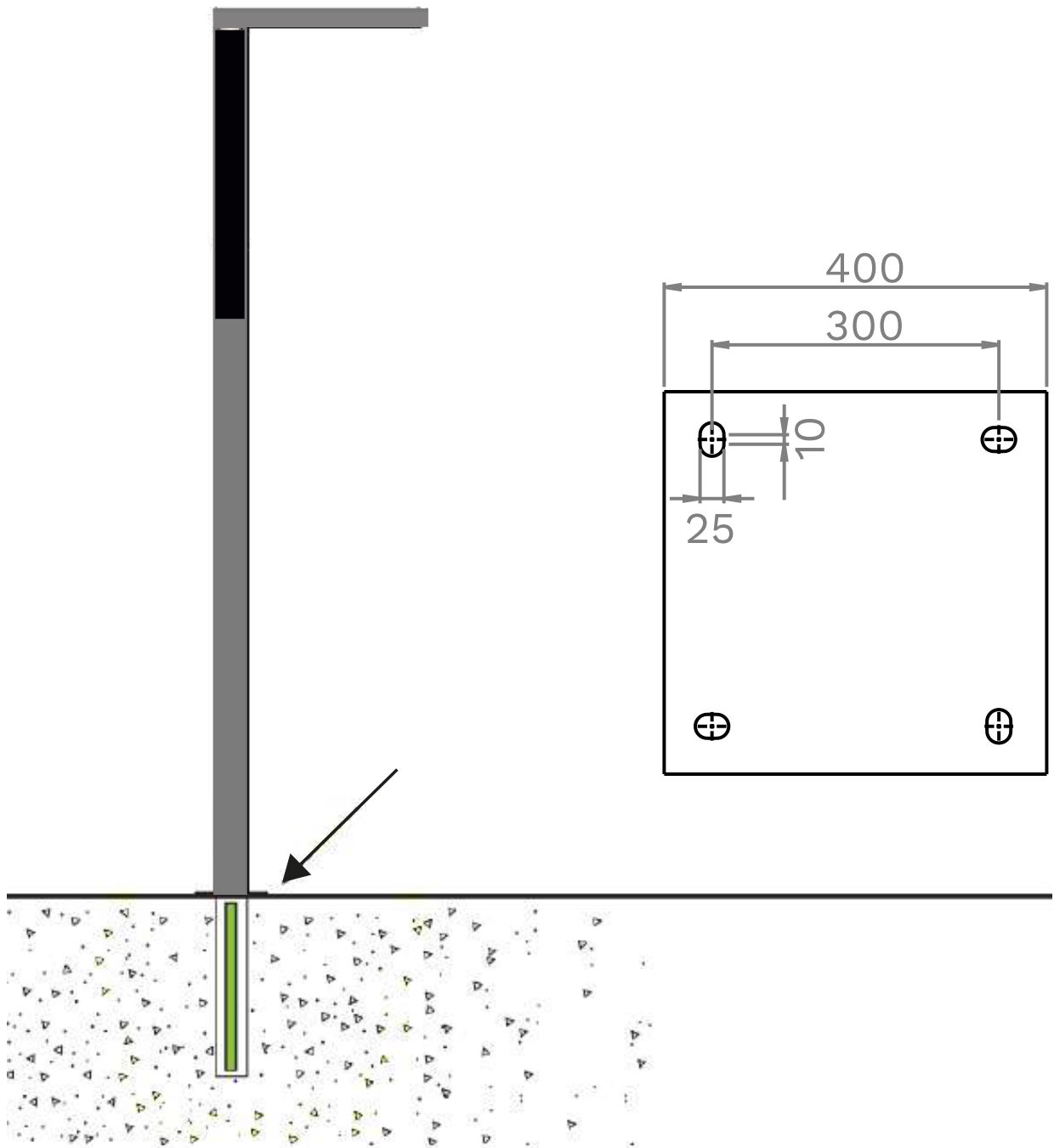
1. Open the door of the pole
2. Make the HV connection to the street lighting box
3. Connect the power supply to the street lighting box

* The street lighting box is not part of the system, the customer must always take care of this, keeping in mind local regulations.

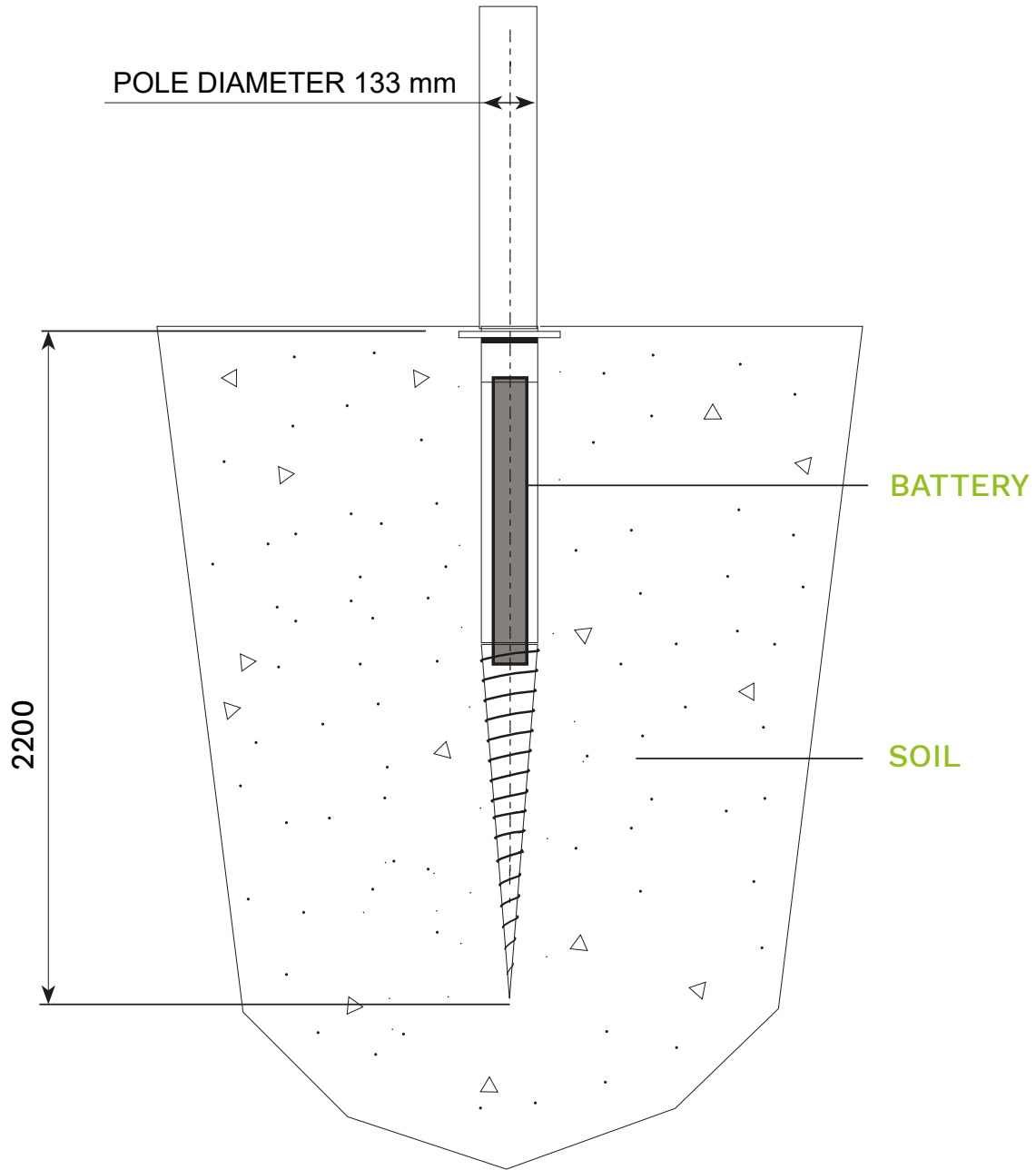
MOUNTING OPTION 1 - PIPE FOUNDATION



MOUNTING OPTION 2 - ANCHOR BASE



MOUNTING OPTION 3 - GROUND SCREW FOUNDATION



Please consult your Schréder expert before installation!